

# Z15MK2

## KU-BAND Maritime VSAT Antenna

The SuperTrack Z-Series is the perfect solution for ships looking for broadband speeds at sea. Stay in touch with your networks via high speed access to the internet, email, multiple VoIP phones and more.



\*Design is subject to change without notice



FRP Honeycomb Radome

**3+1**

3 -Year Parts Warranty  
1 -Year Labor Warranty



Dual Antenna System Support



High Tracking Speed  
More than 90° / sec

### DUAL SHOCK ABSORBER

New Z15MK2 is hiring dual shock absorber for remarkably enhanced system reliability. The new system will secure the endurance of under various maritime circumstances.

### ASI FREE

The biggest problem of compact VSAT will be ASI (Adjacent Satellite Interference) Problem. However, through the KNS's distinct transmitting control algorithm, the problem and risk of ASI is minimized.

### OPEN AMIP

The most mandatory feature for HTS application is Open AMIP Protocol to switch the beam to other satellite when your vessel is going among different satellite footprint.

### COST AFFORDABLE

With all the innovations, SUPERTRACK Z\_Series MK2 has its various line-up and you can fulfil your needs with affordable costs.

### PRODUCT KEY FEATURES

- **Automatic Satellite Search & Skew Control**
- **Accurate Signal Acquisition by KNS's Distinctive Algorithm**
- **Pre-programmed Satellite Database**  
Editable 80 satellite data
- **Antenna Control Unit**  
3 Types of Gyro Input (NMEA, Synchro, Step by Step)
- **Unlimited Azimuth**  
Uninterrupted searching keep you in business however you ship turns Cable Wrap Free.
- **Polarization Skew Control**
- **Dual Shock Absorber System**

# Z15MK2

KU-BAND Maritime VSAT Antenna

**Z** \_SERIES  
SUPERTRACK

## SPECIFICATION

### ABOVE DECK

<b>Dish Diameter</b>	150cm (60")
<b>Antenna Dimension</b>	212cm(D) x 206cm(H)
<b>Antenna Weight</b>	250 Kg
<b>Radome Material</b>	Honeycomb FRP
<b>Frequency</b>	TX : 13.75 ~ 14.5 GHz RX : 10.75 ~ 12.75 GHz
<b>Antenna Gain</b>	TX : 45.25 dBi @ 14.25 GHz RX : 43.8 dBi @ 11.75 GHz
<b>G / T</b>	22.89 dB/K (In Radome) @ 30deg. Elevation angle and 11.75GHz, Clear Sky
<b>Operating Platform</b>	3 - Axis
<b>LNB</b>	Single PLL LNB Universal LNB (optional)
<b>BUC</b>	4W / 6W / 8W / 16W / 25W (optional)
<b>Skew Control</b>	Automatic Skew Control
<b>Elevation Angle</b>	-20° to +110°
<b>Azimuth Range</b>	Unlimited
<b>Cross Angle</b>	± 35°
<b>Ship Motion</b>	Roll : ±25° at 6-12 sec periods Pitch : ±15° at 6-12 sec periods Yaw : ±5° at 5-50 sec periods
<b>Tracking Speed</b>	More than 90°/sec
<b>Vibration Damper</b>	Wire Rope Isolator & Rubber Damper Included
<b>Antenna Input Power</b>	TX: 48V DC 3.2A RX: 48V DC 4.18A
<b>Temperature</b>	-20°C to +55°C
<b>Humidity</b>	Up to 100% @ 40°C

### BELOW DECK

<b>ACU Size</b>	19" Rack 1U size
<b>Gyro Interface</b>	NMEA 0183, Synchro, Step by Step
<b>Input Power</b>	100 ~ 120V AC / 200 ~ 240V AC, 50/60Hz, 8A/4A
<b>Output Power</b>	TX : 48V DC, 3.2A
<b>External I/O</b>	RS-232C, Mini-USB, Ethernet, Console

### PACKING DIMENSION

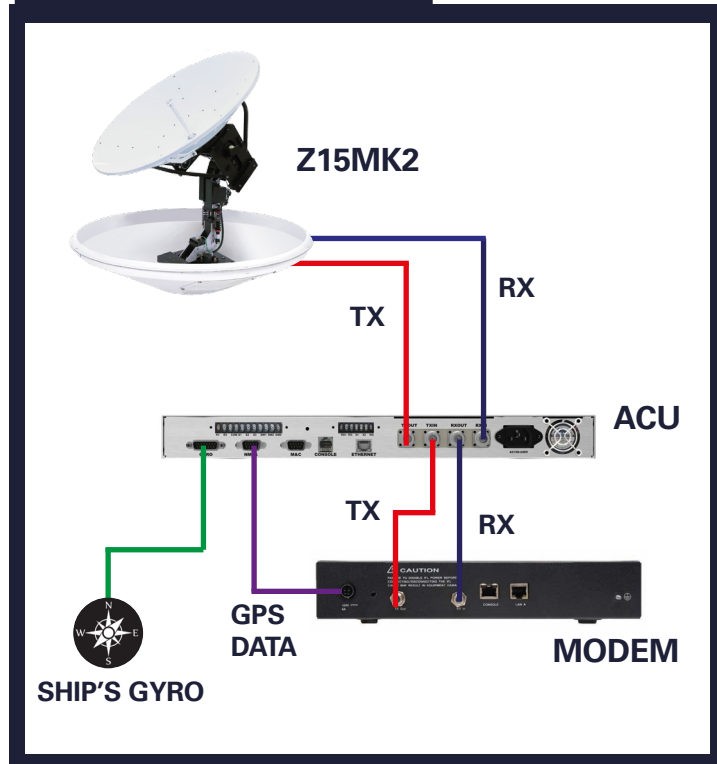
<b>Size</b>	220 X 220 X 240 cm
<b>Gross Weight</b>	492 kg
<b>Packed by</b>	Wooden Crate

### WARRANTY INFORMATION

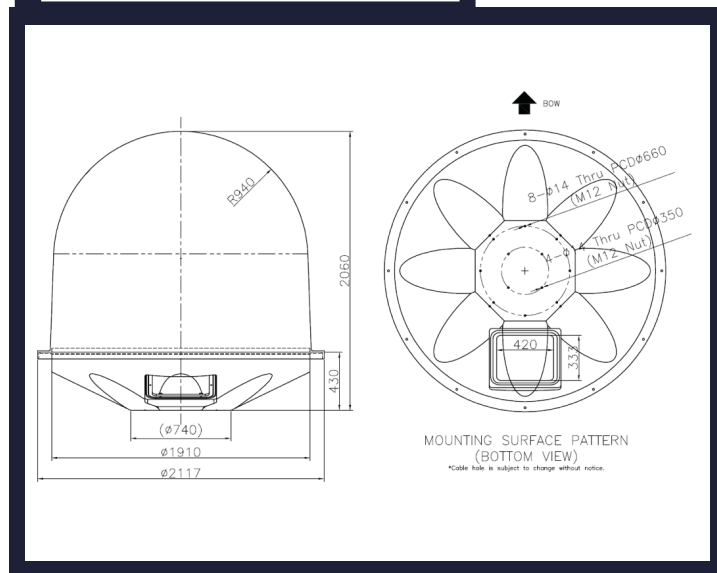
3-year parts, 1-year onboard labour warranty

\*Specification is subject to change without notice

## SYSTEM DIAGRAM



## RADOME DIMENSION



**KNS Headquarters**  
1476-55, Yuseong-daero, Yuseong-gu,  
Daejeon South Korea (34055)  
Tel : +82 42 932 0351  
Fax : +82 42 932 0353  
E-mail : sales@kns-kr.com

**KNS Europe Sales Office**  
Carl-Zeiss Straße 4, 71093 Weil im  
Schönbuch, Germany  
Tel : +49 1727 640 257  
E-mail : fpollak@kns-kr.com

