

SUPERTRACK

Z4MK2

KU-BAND Maritime VSAT Antenna

The SuperTrack Z-Series is the perfect solution for ships looking for broadband speeds at sea. Stay in touch with your networks via high speed access to the internet, email, multiple VoIP ph



*Design is subject to change without notice

BEST COMPACT VSAT SYSTEM

4MK2 is market proven and the best VSAT system for the customers who are looking for compact VSAT for their vessels such as Fishing boats, Yachts and other Commercial Vessels.

OPEN AMIP

The most mandatory feature for HTS application is Open AMIP Protocol to switch the beam to other satellite when your vessel is going among different satellite footprint.

The Z4MK2 has Open AMIP for HTS connectivity in excellence.

COST AFFORDABLE

With all the innovations, SUPERTRACK Z_Series MK2 has its various line-up and you can fulfil your needs with affordable costs. Therefore the Z4MK2 will be your perfect answer for your demand.

PRODUCT KEY FEATURES

- **Automatic Satellite Search & Skew Control**
- **Accurate Signal Acquisition by KNS's Distinctive Algorithm**
- **Pre-programmed Satellite Database**
Editable 80 satellite data
- **Antenna Control Unit**
3 Types of Gyro Input (NMEA, Synchro, Step by Step)
- **CE & RED Certified**
- **Polarization Skew Control**
- **Open AMIP (Antenna to Modem Interface Protocol) Supporting**
- **2 Ch Rotary Joint Applied**



Z4MK2

KU-BAND Maritime VSAT Antenna

Z_Series
SUPERTRACK

SPECIFICATION

ABOVE DECK

Dish Diameter	45cm (18")
Antenna Dimension	58cm(D) x 63cm(H)
Antenna Weight	32 Kg
Frequency	TX : 13.75 ~ 14.5 GHz RX : 10.7 ~ 12.75 GHz
Antenna Gain	TX : 34.38 dBi @ 14.25 GHz RX : 33.11 dBi @ 11.75 GHz
G / T	12.3 dB/K (In Radome) @ 30deg. Elevation angle and 11.75GHz, Clear Sky
Operating Platform	3 - Axis (Azimuth, Cross, Elevation)
LNB	Single PLL LNB Universal LNB (optional)
BUC	4W / 6W (optional)
Skew Control	Automatic
Elevation Angle	-20° to +95°
Azimuth Range	Unlimited
Cross Angle	± 35°
Ship Motion	Roll : ±20° at 8-12 sec periods Pitch : ±10° at 6-12 sec periods Yaw : ±8° at 15-20 sec periods
Tracking Speed	More than 90°/sec
Vibration Damper	Rubber Damper Included
Antenna Input Power	24V DC 2.7A
Temperature	-20°C to +55°C
Humidity	Up to 100% @ 40°C

BELOW DECK

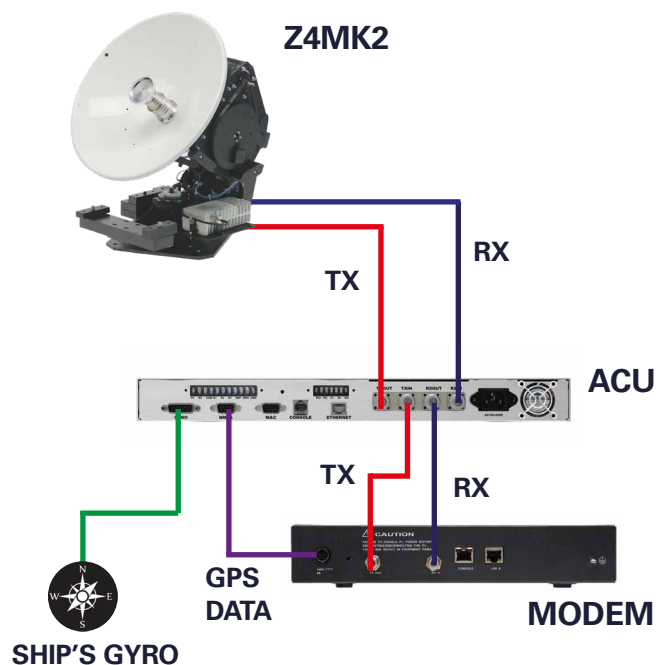
ACU Size	19" Rack 1U size
Gyro Interface	NMEA 0183, Synchro, Step by Step
Input Power	100 ~ 120V AC / 200 ~ 240V AC, 50/60Hz, 8A/4A
Output Power	TX : 48V DC, 3.2A RX : 48V DC, 4.18A
External I/O	RS-232C, Mini-USB, Ethernet, Console

WARRANTY INFORMATION

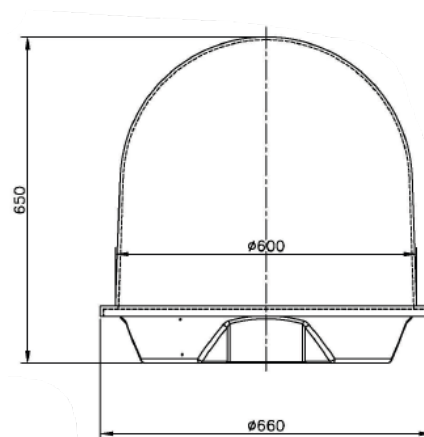
3-year parts, 1-year onboard labour warranty

*Specification is subject to change without notice

SYSTEM DIAGRAM



RADOME DIMENSION



KNS Headquarters

1476-55, Yuseong-daero, Yuseong-gu,
Daejeon South Korea (34055)
Tel : +82 42 932 0351
Fax : +82 42 932 0353
E-mail : sales@kns-kr.com

KNS Europe Sales Office

Carl-Zeiss Straße 4, 71093 Weil im
Schönbuch, Germany
Tel : +49 1727 640 257
E-mail : fpollak@kns-kr.com

KNS Malaysia Sales Office

20 Jalan Setia Tropika 9/15,
Taman Setia Tropika, Johor, Malaysia
Tel : +60 1673 18407
E-mail : james@kns-kr.com

