

MK3 VCS (VSAT Crossover System)

VSAT crossover system for a dual-VSAT configuration with strengthened control capabilities & advanced features

Z _SERIES

SUPERTRACK



STANDARD FEATURES

- Antenna switching is selectable
- Modem Ethernet interface for ABS (Auto Beam Switching)
- Both antenna status and antenna selected status displayed
- TX and RX monitoring port built in front side(SMA type)
- Possible of RF attenuator control
- Internal 10MHz circuit built in
- Modem 10MHz reference signal detection is available
- Modem Lock status indicator included

MECHANICAL SPECIFICATION

Size	19" 1U rack size 48cm(W) x 31cm(L) x 4.4cm(H)
Weight	4.5 Kg

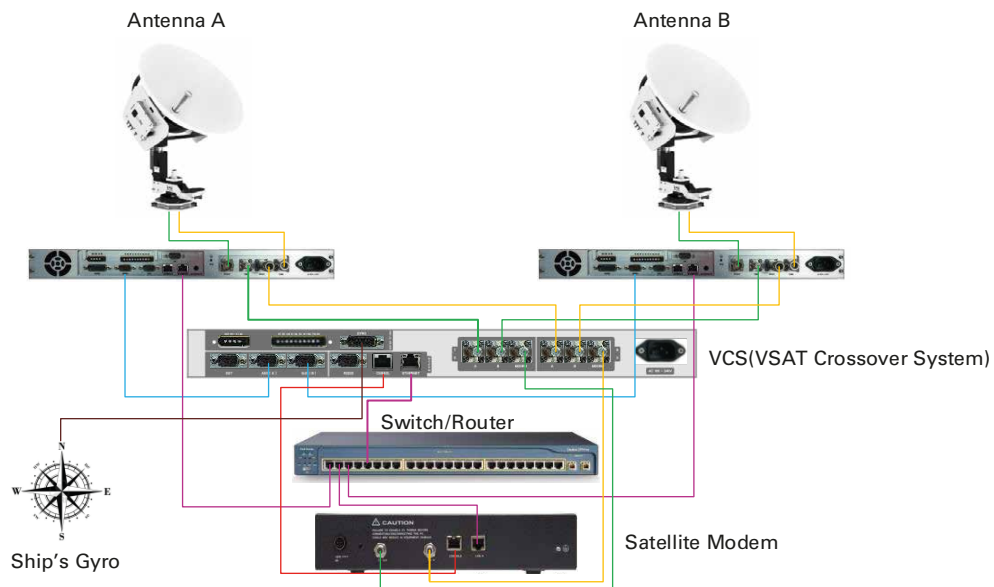
RF SPECIFICATION

Operation Frequency	DC to 2.5GHz
Insertion Loss	0.6dB type
Port Isolation	52dB type (47dB min.)
References	10MHz reference signal can be supplied to TX port from modem or internal circuit.
Connector type	F type(75Ω)
Switching Method	Automatic or Manual
Switching Time	≤ 0.1 sec

ELECTRIC SPECIFICATION

Input Power	100 ~ 240V AC, 50/60Hz
Current	1.3A
Operating Max power	12V DC, 4.2A
Operating Temperature	-20°C ~ 55°C
Storage Temperature	-40°C ~ 70°C
Humidity	Up to 100% @ 40°C
Display	VFD module included(Signal Strength and status display available)
Interface	RS-232, Mini-USB, AUX

CONFIGURATION BLOCK DIAGRAM



* This Specification can be changed without notice.