

SUPERTRACK

K7

Ku-BAND Maritime TVRO Antenna

The K-Series TVRO antennas bring high quality satellite television to your vessel. The K-Series is a competitively priced antenna that is based on the same technology as the Z-Series, providing exceptional tracking ability, and is ideal for private and smaller vessels.



*Design is subject to change without notice



Lower Loss
Higher Durable
Radome



DVB-S2X Compatible



Web - GUI



2 - Year Parts Warranty

THE MOST AFFORDABLE TVRO

The most customers who would like to enjoy Satellite TV are choosing SUPERTRACK K_Series TVRO Antenna System. The K_Series will provide stable connection to Satellite TV with affordable costs. With no doubt of antenna performance, in such a price, customers will enjoy stable connection with Satellite TV and feel like home on the sea.

FOR ENTERTAINING VOYAGE

When you are on the sea, you might feel departed from your homeland and would like enjoy as like when you were at home. Watching the latest news, weather, and/or your favorite sports games... No matter where you are, the SUPERTRACK K_Series keeps you up-to-date and in the front row at your favorite sports event.

The AHRS (Attitude Heading Reference System (AHRS)) and honest 3 Axis stabilization system can secure your stable connection to your TV satellites. Let the SUPERTRACK K_Series make you stay tuned for TV channels what you want.

PRODUCT KEY FEATURES

- **Attitude Heading Reference System (AHRS) using an IMU Sensor**
(3 Axis gyro Scope, 2 Axis Acceleration)
- **High Performance Stabilization in rough weathers**
- **Honest 3 Axis system - Stabilized azimuth and elevation with a skew control axis**
Stabilized skew system guarantees perfect searching and tracking
- **Automatic Skew Control**
- **Tracking 10 sec of unwarp time**
- **Compatible for DVB-S2X**
- **Provides over 80 satellites parameters**
- **DSP (Digital Signal Processor) control technology**
- **Web-GUI interface & Remote Software Upgrade**
M&C function and firmware upgrade fully supported via Web-GUI interface
- **Wi-Fi Support**
ACU can support Wi-Fi interface, a seamless wireless interface between user and ACU
- **High gain reflector**
- **Built in GPS**
- **Gyro Free Operation**
- **Certification/Qualification**
CE



K7

Ku-BAND Maritime TVRO Antenna

SPECIFICATIONS

ABOVE DECK

Dish Diameter	61cm (24")
Antenna Dimension	67cm(D) x 69cm(H)
Antenna Weight	20.6 Kg
Frequency	10.7 ~ 12.75 GHz
Minimum MIRP	46 dBW
Operating Platform	Semi 3 - Axis (Yaw, Level, Skew)
LNB	Quattro / Quad LNB (Optional)
Skew Control	Automatic
Elevation Angle	+15° to +115°(Hardware) +15° to +75°(Software)
Azimuth Range	690°
Ship Motion	Roll: ± 20° at 8-12 sec periods Pitch: ± 10° at 6-12 sec periods Yaw: ± 8° at 15-20 sec periods
Pointing Accuracy	0.2° RMS, 0.4° Peak Pointing in specified ships motions
Ship's Heading	With or Without NMEA Compass
Turning Rate	Up to 50°/sec
Temperature	-20°C to 55°C
Humidity	Up to 100% @ 40°C
Antenna Input Power	24V DC, 2.5A

PACKING DIMENSION

Size	82 X 82 X 98 cm
Gross Weight	40.6 kg
Packed by	Paper Carton

WARRANTY INFORMATION

2-year parts warranty

*Specification is subject to change without notice

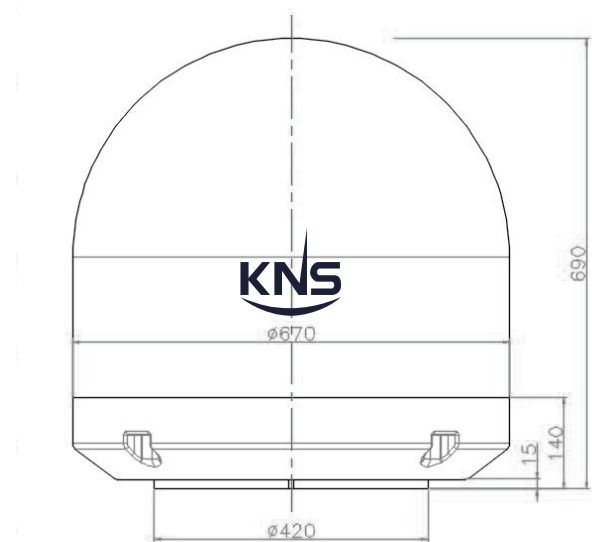
BELOW DECK

KA - 90K Antenna Control unit



ACU Size	313 X 192 X 44 mm
Input power	24V DC, 9.17A(220W)
(Adapter input)	100V~240V AC, 50/60HZ, 4A
Output Power	30VDC, 2.3A max
External I/O	Mini-USB, USB, AUX, Ethernet, NMEA
Gyro Interface	NMEA 0183

RADOME DIMENSION



www.kns-kr.com

KNS Headquarters

1476-55, Yuseong-daero, Yuseong-gu,
Daejeon South Korea (34055)
Tel : +82 42 932 0351
Fax : +82 42 932 0353
E-mail : sales@kns-kr.com

KNS Malaysia Sales Office

20 Jalan Setia Tropika 9/15,
Taman Setia Tropika, Johor, Malaysia
Tel : +60 1673 18407
E-mail : james@kns-kr.com

KNS Europe Sales Office

Carl-Zeiss Straße 4, 71093 Weil im
Schönbuch, Germany
Tel : +49 1727 640 257
E-mail : fpollak@kns-kr.com