

SUPERTRACK

Z12MK2

KU-BAND Maritime VSAT Antenna

The SuperTrack Z-Series is the perfect solution for ships looking for broadband speeds at sea. Stay in touch with your networks via high speed access to the internet, email, multiple VoIP phones and more.



*Design is subject to change without notice



Lower Loss
Higher Durable
Radome



High Tracking Speed
More than 90° / sec



Dual Antenna System
Support

MOST SELECTED VSAT SERIES

The most customers in worldwide maritime industry have chosen SUPERTRACK Z Series MK2 as standard type VSAT System for their vessels. The Z Series MK2 convinces the optimal satellite communication performance to your vessels.

RELIABILITY, THE BASIC VIRTUE

On the middle of sea, under variable circumstances, the most important merit of communication equipment is reliable connection and stable tracking and network performance. Live chatting with friends, video call with family, listening radio over IP and even... emergency phone calls... all kinds of communication to homeworld require network sustainability with reliable equipment. The SUPERTRACK Z Series, reliable partner all the time.

COST AFFORDABLE

With all the innovations, SUPERTRACK Z_Series MK2 has its various line-up and you can fulfil your needs with affordable costs.

PRODUCT KEY FEATURES

- **Automatic Satellite Search & Skew Control**
- **Accurate Signal Acquisition by KNS's Distinctive Algorithm**
- **Pre-programmed Satellite Database**
Editable 80 satellite data
- **Antenna Control Unit**
3 Types of Gyro Input (NMEA, Synchro, Step by Step)
- **Unlimited Azimuth**
Uninterrupted searching keep you in business however you ship turns Cable Wrap Free.
- **Brake System**
- **CE & RED certified**
- **INTELSAT Qualified**

INTELSAT CE06780 MIL-STD-167

RoHS CE RED



Z12MK2

KU-BAND Maritime VSAT Antenna

Z Series
SUPERTRACK

SPECIFICATION

ABOVE DECK

Dish Diameter	120cm (49")
Antenna Dimension	161cm(D) x 163cm(H)
Antenna Weight	142 Kg
Frequency	TX : 13.75 ~ 14.5 GHz RX : 10.7 ~ 12.75 GHz
Antenna Gain	TX : 42.87 dBi @ 14.25 GHz RX : 40.95 dBi @ 11.75 GHz
G / T	20.79 dB/K (In Radome) @ 30deg. Elevation angle and 11.75GHz, Clear Sky
Operating Platform	3 - Axis
LNB	Single PLL LNB Universal LNB (optional)
BUC	4W / 6W / 8W / 16W / 25W / 40W (optional)
Skew Control	Automatic
Elevation Angle	-20° to +110°
Azimuth Range	Unlimited
Cross Angle	± 35°
Ship Motion	Roll : ±24° at 8-12 sec periods Pitch : ±14° at 6-12 sec periods Yaw : ±8° at 15-20 sec periods
Tracking Speed	More than 90°/sec
Vibration Damper	Rubber Damper Included
Antenna Input Power	TX: 48V DC 3.2A RX: 48V DC 4.18A
Temperature	-20°C to +55°C
Humidity	Up to 100% @ 40°C

BELOW DECK

ACU Size	19" Rack 1U size
Gyro Interface	NMEA 0183, Synchro, Step by Step
Input Power	100 ~ 120V AC / 200 ~ 240V AC, 50/60Hz, 8A/4A
Output Power	TX : 48V DC, 3.2A
External I/O	RS-232C, Mini-USB, Ethernet, Console

PACKING DIMENSION

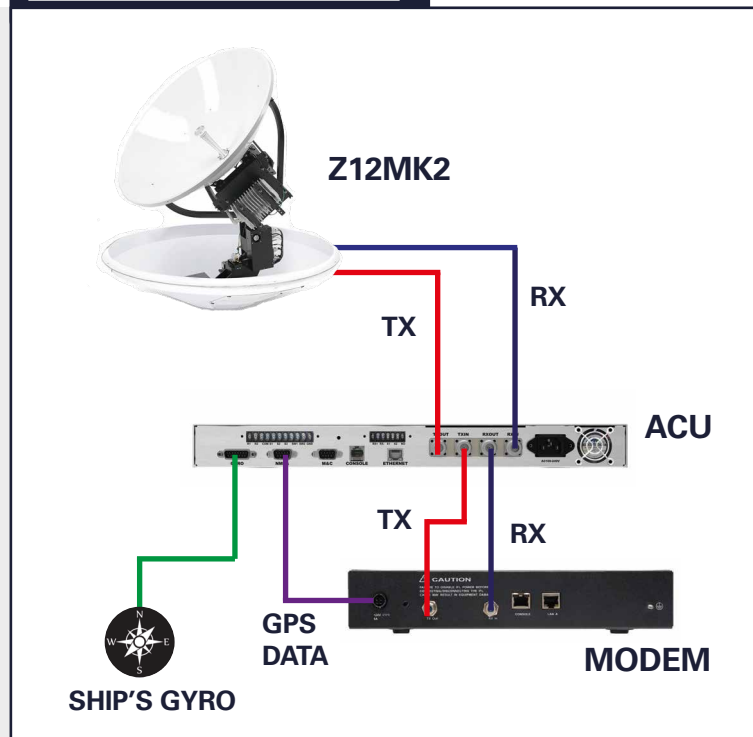
Size	158 X 158 X 177 cm
Gross Weight	224 kg
Packed by	Wooden Crate

WARRANTY INFORMATION

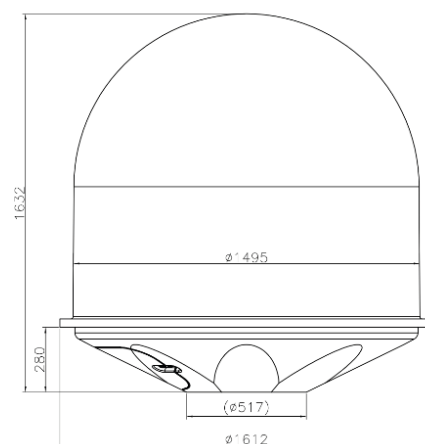
3-year parts, 1-year onboard labour warranty

*Specification is subject to change without notice

SYSTEM DIAGRAM



RADOME DIMENSION



KNS Headquarters

1476-55, Yuseong-daero, Yuseong-gu,
Daejeon South Korea (34055)
Tel : +82 42 932 0351
Fax : +82 42 932 0353
E-mail : sales@kns-kr.com

KNS Europe Sales Office

Carl-Zeiss Straße 4, 71093 Weil im
Schönbuch, Germany
Tel : +49 1727 640 257
E-mail : fpollak@kns-kr.com

KNS Malaysia Sales Office

20 Jalan Setia Tropika 9/15,
Taman Setia Tropika, Johor, Malaysia
Tel : +60 1673 18407
E-mail : james@kns-kr.com

