

# SUPERTRACK

# Z7MK2

## KU-BAND Maritime VSAT Antenna

The SuperTrack Z-Series is the perfect solution for ships looking for broadband speeds at sea. Stay in touch with your networks via high speed access to the internet, email, multiple VoIP phones and more.



\*Design is subject to change without notice

## MOST SELECTED VSAT SERIES

The most customers in worldwide maritime industry have chosen SUPERTRACK Z Series MK2 as standard type VSAT System for their vessels. The Z Series MK2 convinces the optimal satellite communication performance to your vessels.


## RELIABILITY, THE BASIC VIRTUE

On the middle of sea, under variable circumstances, the most important merit of communication equipment is reliable connection and stable tracking and network performance. Live chatting with friends, video call with family, listening radio over IP and even emergency phone calls, all kinds of communication to homeworld require network sustainability with reliable equipment. The SUPERTRACK Z Series, reliable partner all the time.

## COST AFFORDABLE

With all the innovations, SUPERTRACK Z\_Series MK2 has its various line-up and you can fulfil your needs with affordable costs.

## PRODUCT KEY FEATURES

- **Automatic Satellite Search & Skew Control**
- **Accurate Signal Acquisition by KNS's Distinctive Algorithm**
- **Pre-programmed Satellite Database**  
Editable 80 satellite data
- **Antenna Control Unit**  
3 Types of Gyro Input (NMEA0183, Synchro, Step by Step)
- **Unlimited Azimuth**  
Uninterrupted searching keep you in business however you ship turns Cable Wrap Free.
- **Brake System**
- **Certification/Qualification**  
 telenor eutelsat CE kt sat  
**RoHS SES<sup>^</sup>**
- **Warranty information**  
3-year parts warranty



# Z7MK2

## KU-BAND Maritime VSAT Antenna

### SPECIFICATIONS

#### ABOVE DECK

<b>Dish Diameter</b>	75cm (30")
<b>Antenna Dimension</b>	102cm(D) x 104cm(H)
<b>Antenna Weight</b>	69 Kg
<b>Frequency</b>	TX : 13.75 ~ 14.5 GHz RX : 10.7 ~ 12.75 GHz
<b>Antenna Gain</b>	TX : 39.1 dBi @ 14.25 GHz RX : 37.5 dBi @ 11.75 GHz
<b>G / T</b>	16.37 dB/K (In Radome) @ 30deg. Elevation angle and 11.75GHz, Clear Sky
<b>Operating Platform</b>	3 - Axis
<b>LNB</b>	Universal LNB (4LO Selectable PLL LNB)
<b>BUC</b>	4W / 6W / 8W / 16W (optional)
<b>OpenAMIP</b>	Support
<b>Skew Control</b>	Automatic
<b>Elevation Angle</b>	-10° to +110°
<b>Azimuth Range</b>	Unlimited
<b>Cross Angle</b>	± 35°
<b>Ship Motion</b>	Roll : ±24.7° at 8 sec periods Pitch : ±15° at 6 sec periods Yaw : ±8° at 15 sec periods
<b>Tracking Speed</b>	More than 90°/sec
<b>Vibration Damper</b>	Rubber Damper Included
<b>Antenna Input Power</b>	TX: 48V DC 3.2A RX: 48V DC 4.18A
<b>Temperature</b>	-20°C to +55°C
<b>Humidity</b>	Up to 100% @ 40°C

#### PACKING DIMENSION

<b>Size</b>	120 X 120 X 140 cm
<b>Gross Weight</b>	142 kg
<b>Packed by</b>	Wooden Crate

\*Specification is subject to change without notice

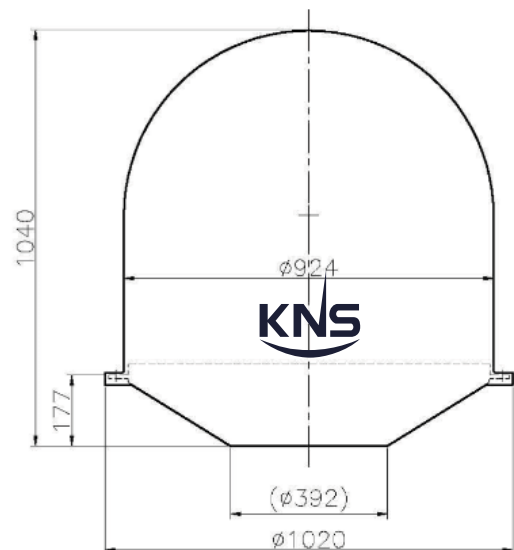
#### BELOW DECK

#### KA - 165 Antenna Control unit



<b>Size</b>	19" Rack 1U size
<b>3 Type of Gyro input</b>	NMEA0183, Synchro, Ste by step
<b>Input Power</b>	100~200V AC/ 200~240V AC 50/60Hz, 8A / 4A
<b>Output Power</b>	TX - 48V DC, 3.2A RX - 48V DC, 4.18A
<b>Remote Access</b>	Tmonitor, SCS Software, Telnet Terminal
<b>External I/O</b>	RS232C, Mini USB, Ethernet, Console

#### RADOME DIMENSION



www.kns-kr.com

#### KNS Headquarters

1476-55, Yuseong-daero, Yuseong-gu,  
Daejeon South Korea (34055)  
Tel : +82 42 932 0351  
Fax : +82 42 932 0353  
E-mail : sales@kns-kr.com

#### KNS Malaysia Sales Office

20 Jalan Setia Tropika 9/15,  
Taman Setia Tropika, Johor, Malaysia  
Tel : +60 1673 18407  
E-mail : james@kns-kr.com

#### KNS Europe Sales Office

Carl-Zeiss Straße 4, 71093 Weil im  
Schönbuch, Germany  
Tel : +49 1727 640 257  
E-mail : fpollak@kns-kr.com